

# Specifications of Standard Couplings

**TWINSTAR** has its TYPE according to the standard hose size. Each one is designed to be lightweight and compact while ensuring the durability for firefighting scenes. You can connect any variation of the same TYPE firefighting **TWINSTAR**.

## Standard line-up of firefighting **TWINSTAR**

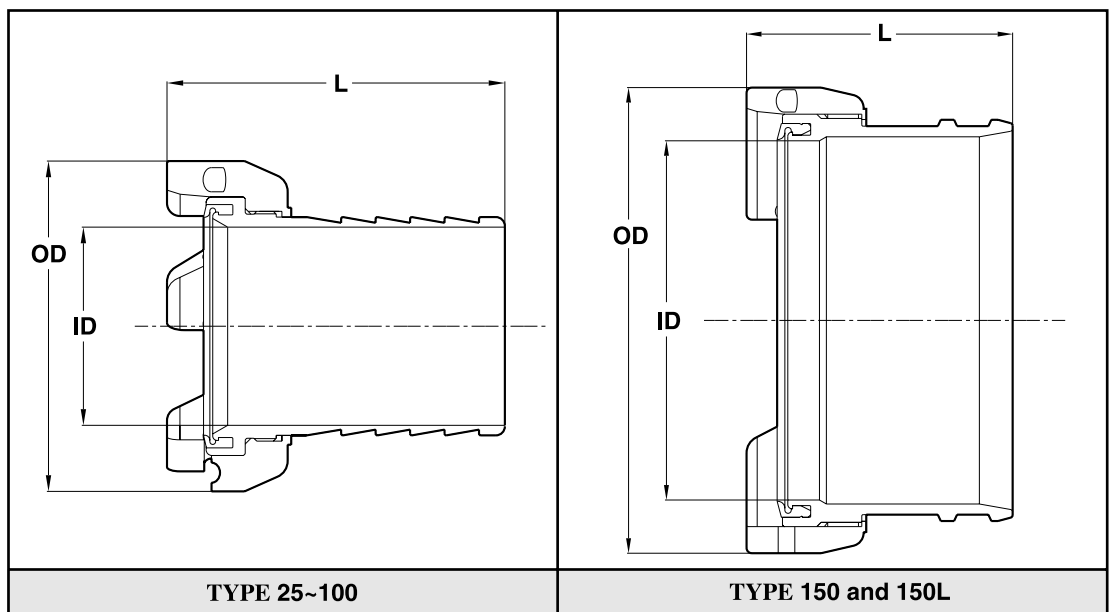
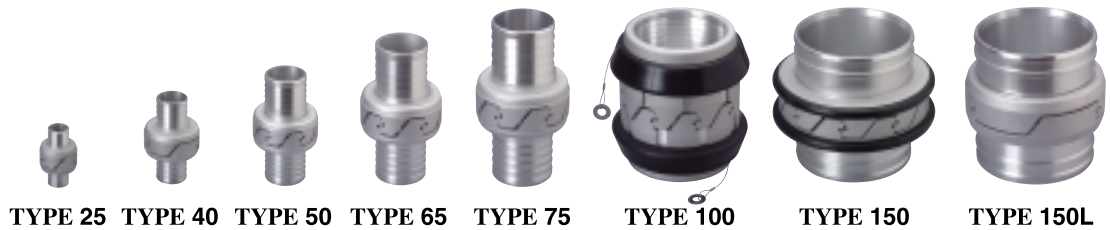


Table of Coupling Envelope Dimensions and Weight

TYPE	Maximum Working Pressure (MPa)	Outer diameter OD (mm)	Inner diameter ID (mm)	Length L (mm)	Number of teeth	Weight (g)
<b>25</b>	3.0	46.0	21.0	46.0	3	60
<b>40</b>	3.0	68.0	33.0	64.0	3	135
<b>50</b>	3.0	80.0	44.5	80.5	6	215
<b>65</b>	3.0	100.0	57.0	101.0	6	385
<b>75</b>	3.0	115.0	69.0	117.5	6	550
<b>100</b>	3.0	172.0	102.0	100.0	9	1600
<b>150</b>	2.0	205.0	135.0	100.0	9	1380
<b>150L</b>	0.1	175.0	135.0	100.0	3	960

**Note** Weight denotes the weight of single coupler made of aluminum alloy.  
 Dimensions for TYPE 25 to TYPE 75 describe the serrated tail type value.  
 Figures for TYPE 100 denote the expansion ring type coupling.  
 TYPE 150 and TYPE 150L show the dimensions of the ribbed tail type coupling.  
 TYPE 150L is for drainage. The ordering information is on the last page.